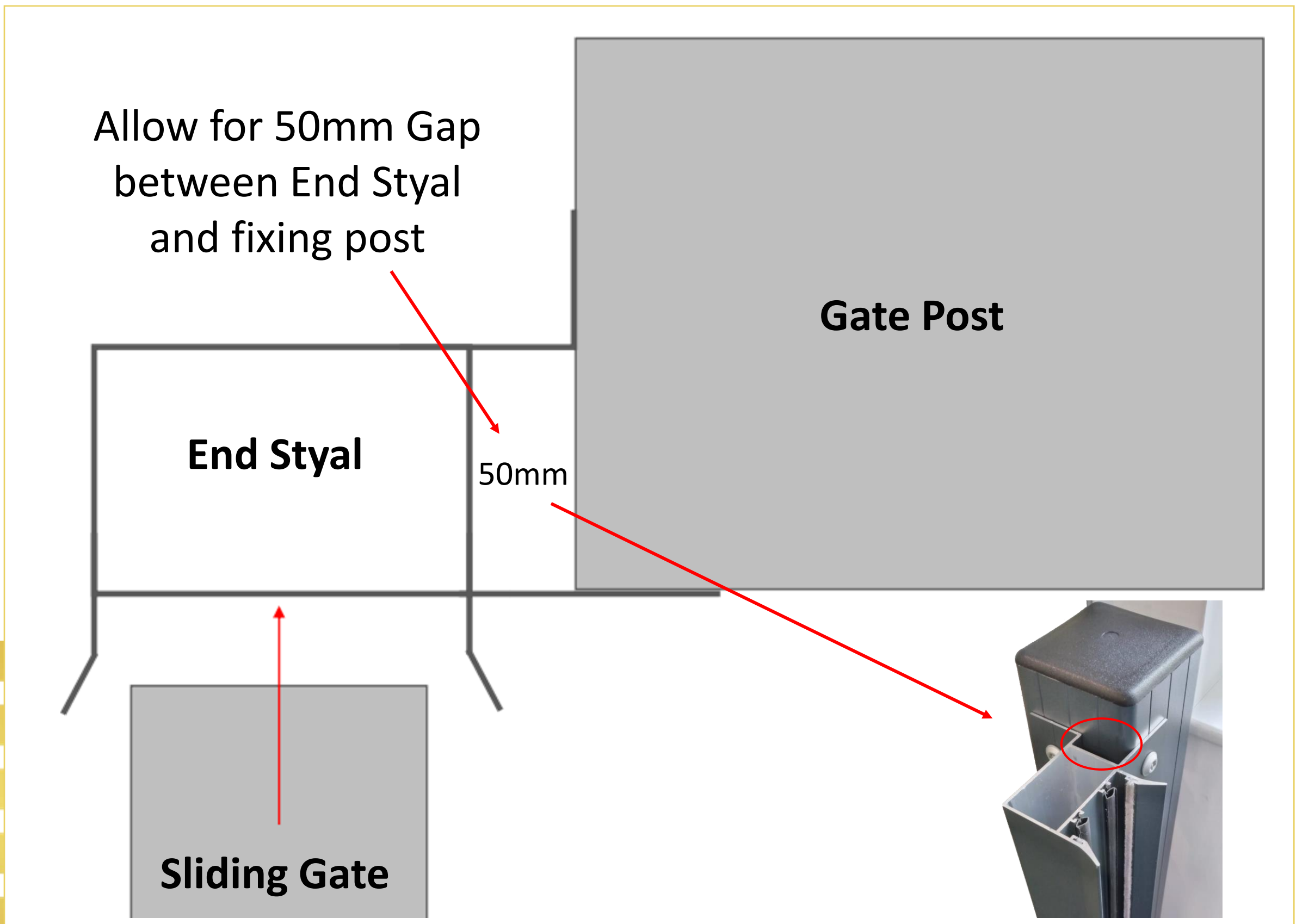
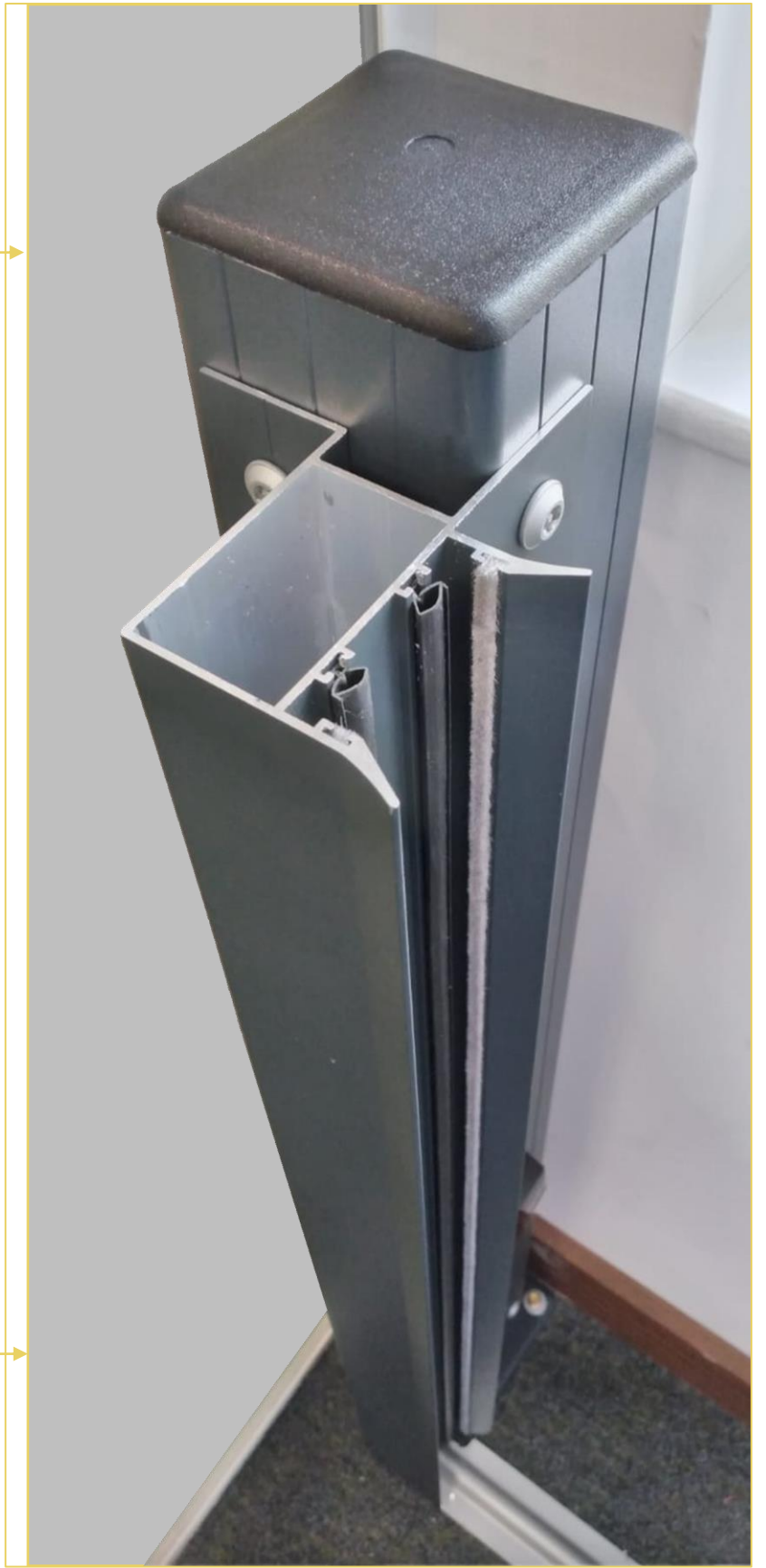


# TFS GATES

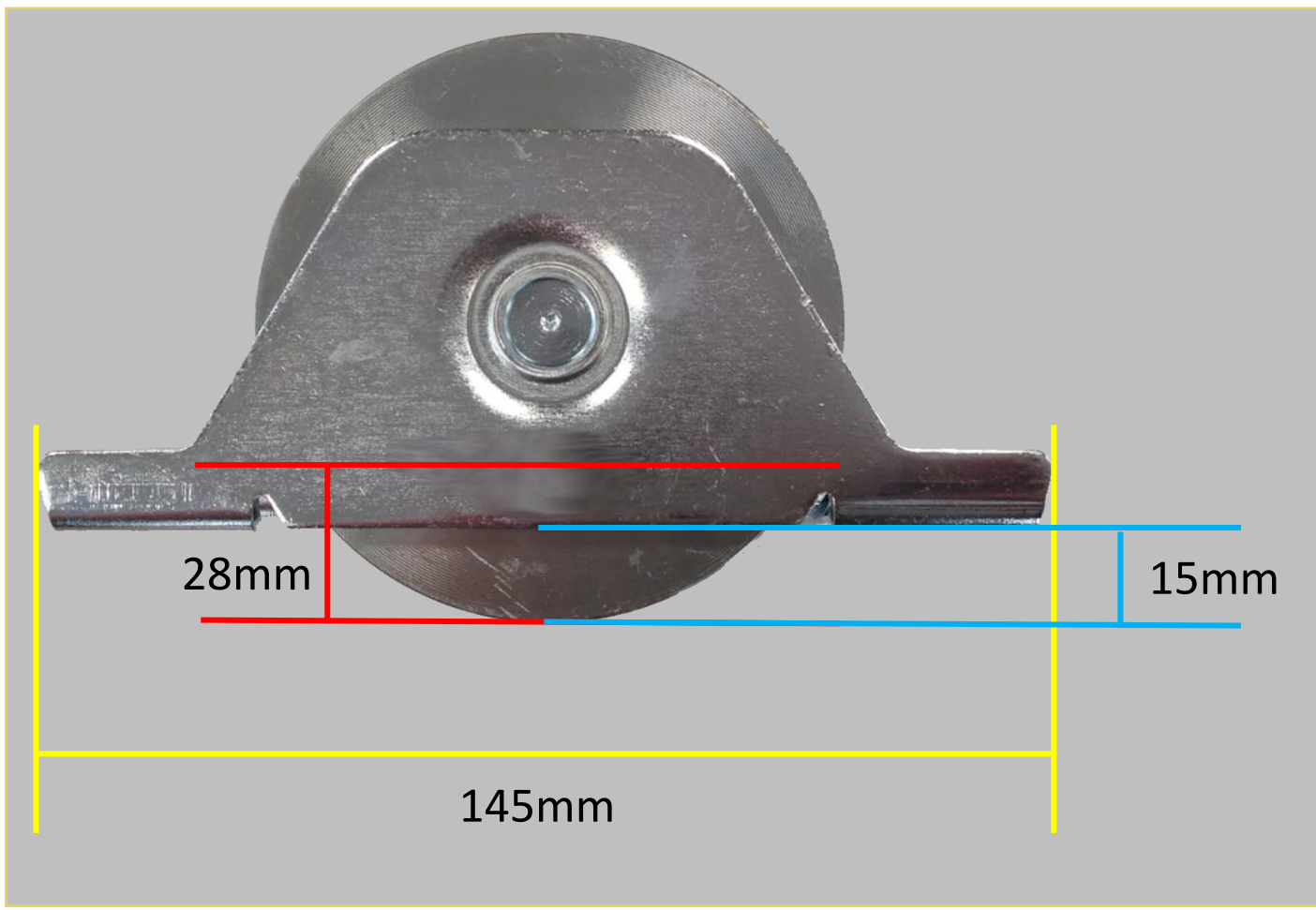
## Components for Edge Sliding Gates



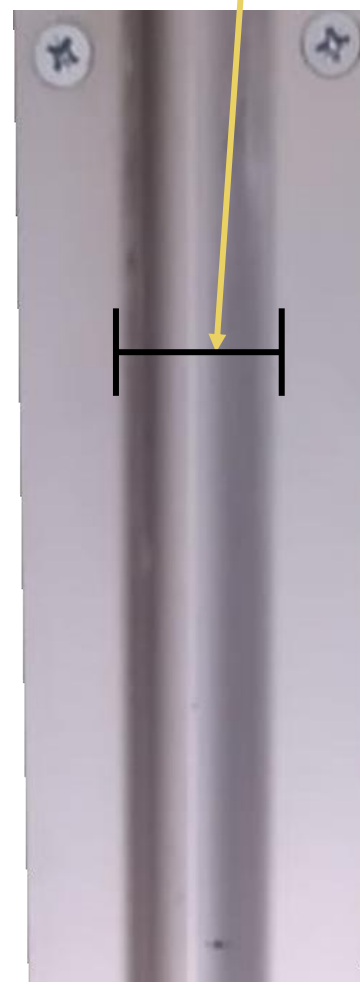
End Styal



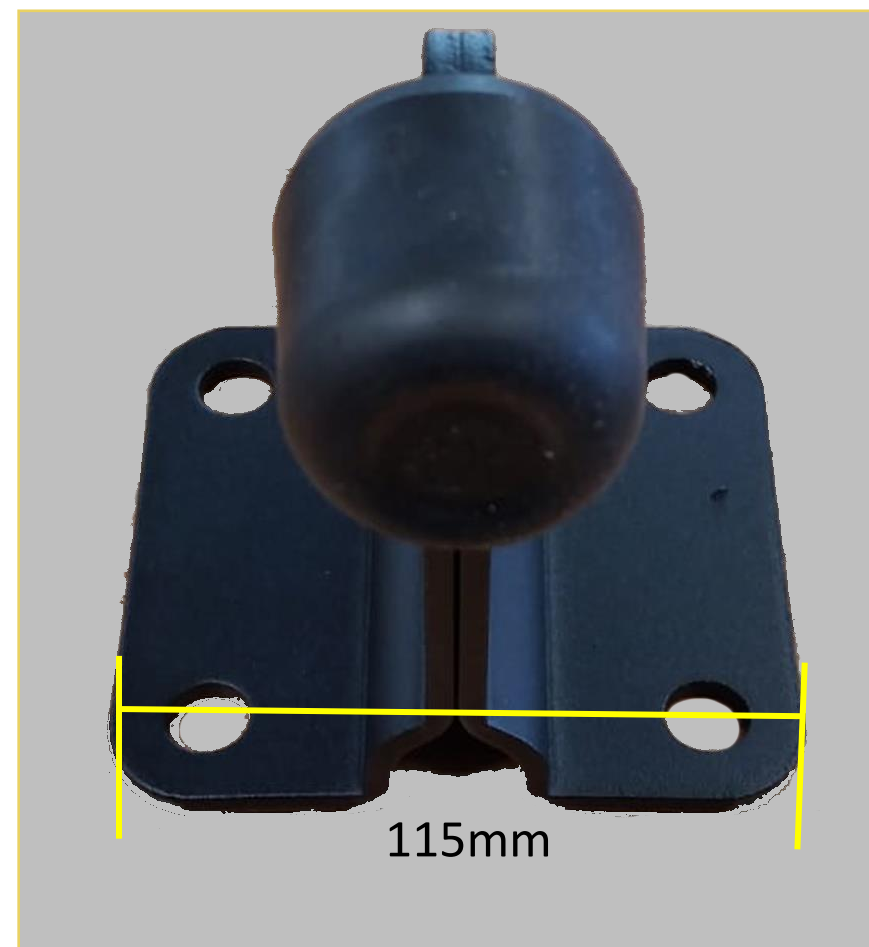
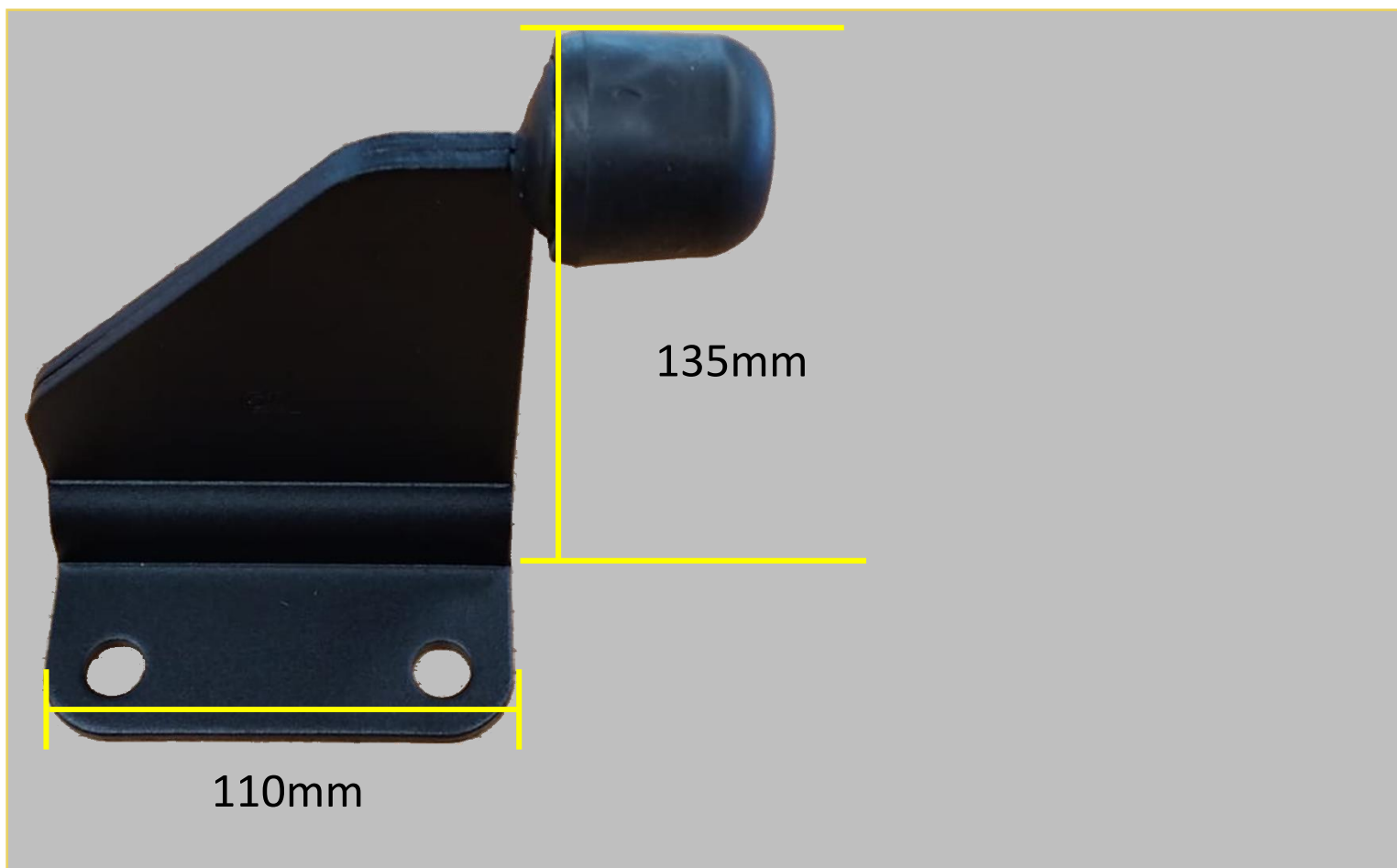
# Wheels and Track



O-Groove  
20mm



# End Stop



# “Up & Over” Bracket

We would always recommend a support post where available but if for whatever reason you can't have one in place this handy “up and over” bracket is capable of holding the gate upright (Cannot be used on curve top gates)

